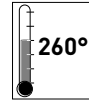


Detector Switches

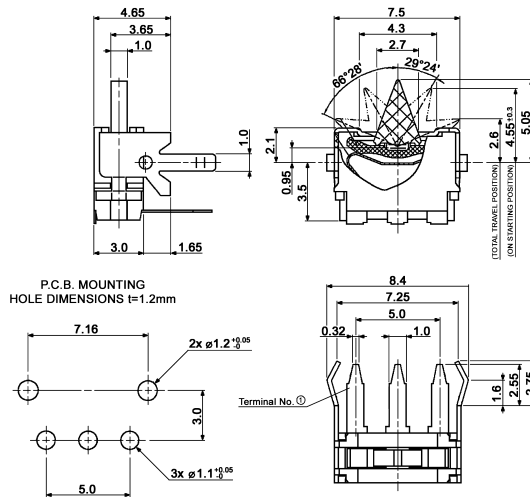


Specifications:

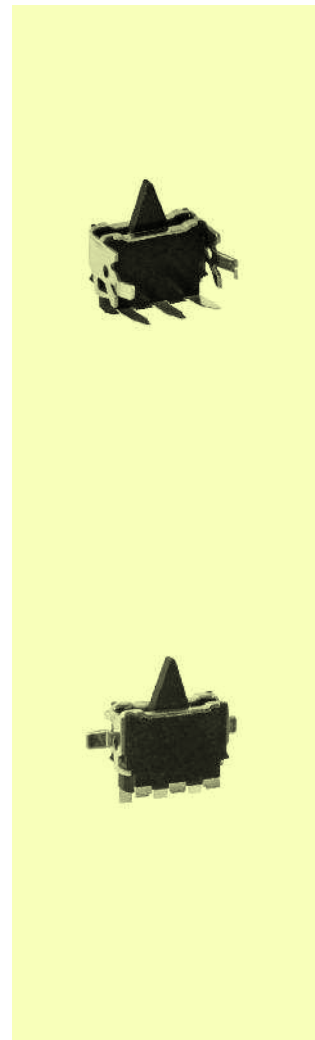
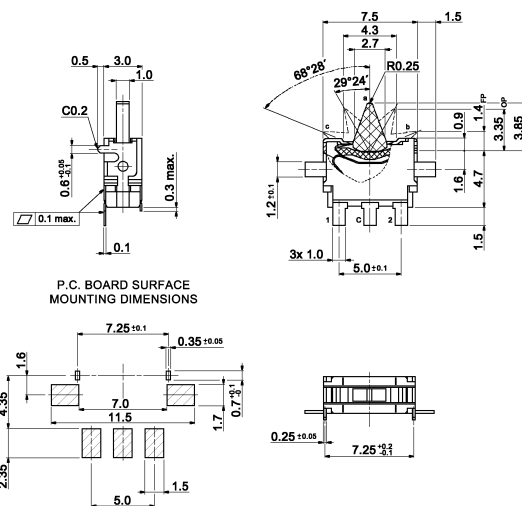
| | |
|------------------------|--|
| Contact rating: | 5V DC, 10 mA |
| Contact resistance: | < 500 mΩ |
| Insulation resistance: | > 100 MΩ |
| Dielectric strength: | 100 V, 50 Hz for the duration of 1 minute |
| Operating temperature: | -40 °C to +85 °C (DT 316 C-R: -40 °C to +100 °C) |
| Operating force: | ≤ 0.15 N |
| Mechanical life: | minimum 3 000 000 operations |
| Material: | Contacts, Terminals: phosphor-bronze, silver-plated Case and actuator: HTN, black Cover: steel, tin-plated |

Models: Switching functions

DT 316 C-R off – mom



DTS 316 CPR-T off – mom



Packing: DT 316 C-R: bag
DTS 316 CPR-T: 1000 pcs/reel